

Publish Date: 24.05.2021 | Rev no: 57

# PowerPRO Cat.5e UTP Solid RJ45 Plug

The DINTEK PowerPRO™ Cat.5e UTP Solid RJ45 Plug is a superior high performance Cat.5e RJ45 unshielded plug that allows for factory grade terminations in the field. The short body design allows easy insertion while maintaining Category5e twist requirements. Superior three-point contact design is compatible with solid cable. Improve your cable performance by using DINTEK PowerPRO™ unshielded plugs.

## Applications

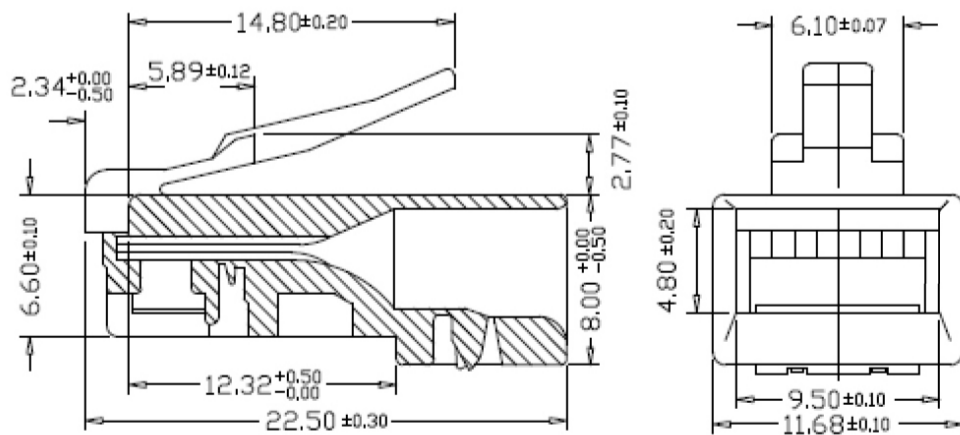
- 10 Base-T (IEEE 802.3)
- Fast Ethernet (IEEE 802.3u)
- 100Vg-AnyLAN (IEEE 802-12)
- 100 Mbps CDDI
- Gigabit 1000 Mbps (802.3z)

## Electrical Characteristics

- Dielectric withstanding voltage: 1000VAC (RMS)
- Contact resistance: 10 milliOhms max.
- Current rating: 30 VAC at 1.5 AMPS
- Insulation resistance: 500 megaohms min.

## Mechanical Characteristics

- Cable-to-plug tensile round and flat cable available
- Strength: 20 lbs. min.
- Durability: 750 cycles min.
- Operating temperature: -40°C to + 125°C



## Material and Finish

- Housing: Polycarbonate
- Contact material: Phosphor bronze alloy
- Contact plating: 50 micro-inch gold plating over nickel plating

## Features

- High-performance Cat.5e RJ45 Plug for general commercial environments
- Short body design
- Three-point contact for solid or stranded conductors
- ANSI/TIA compliant to Cat.5e performance for high-speed networks

## Ordering Information

Product Number	Product Name	Category	Qty / Box	Qty / CTN
1501-88052	PowerPRO Cat.5e UTP Solid RJ45 Plug	Cat.5e	1200	7200

## DINTEK Electronic Limited

台北市中山區中山北路二段96號 嘉新第二大樓五樓N511  
 N511, 5F, 2nd Bldg, No. 96, Sec. 2, Zhongshan N. Rd. Zhongshan Dist., Taipei City 10449, Taiwan  
 P: +886-2-25223138 E-mail: sales@dintek.com.tw W: www.dintek.com.tw

1501-88052